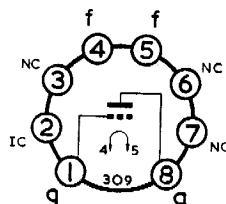


### TUNING INDICATOR



B8D Base

### GENERAL

This directly heated subminiature tuning indicator is intended for use in mains or battery-operated receivers.

Filament Voltage	$V_f$	1.4	V
Filament Current	$I_f$	25	mA

### RATINGS

Maximum Anode Dissipation	$P_a(\text{max})$	25	mW
$V_a \leq 90$ V		10	mW
$V_a = 200$ V		90*	V
Maximum Anode Voltage	$V_a(\text{max})$	45	V
Minimum Anode Voltage	$V_a(\text{min})$	0.3	mA
Maximum Cathode Current	$I_k(\text{max})$	10	MΩ
Maximum Grid to Cathode Resistance	$R_{g-k}(\text{max})$		

\* For circuits without an anode series resistor.

### TYPICAL OPERATION

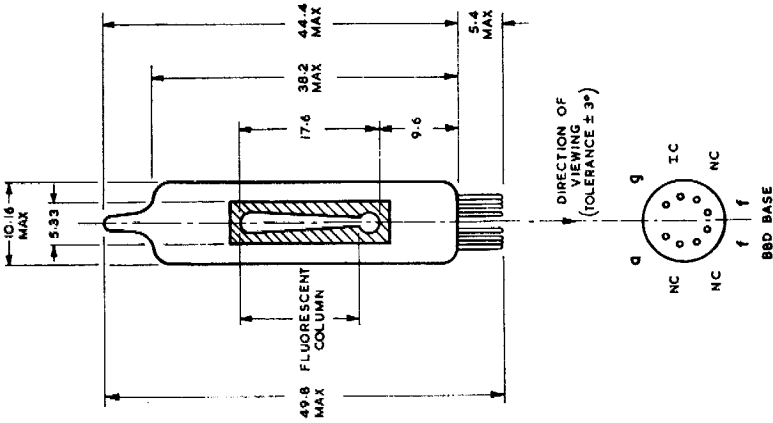
#### Battery Operation

	Pin 5(f-)	Pin 4(f-)	
	Earthed	Earthed	
Anode Voltage	$V_a$ 60	90	V
Anode Current at zero bias	$I_a(V_g = 0)$ 120	250	μA
Grid Voltage for cut-off	$V_g(\text{cut-off})$ -8.0	-13.5	V

#### Mains Operation

The filament, shunted by a suitable resistor, can be included in a series heater chain providing a current limiting device is used. Pin 5 should be earthed.

Supply Voltage	$V_b$	110	170	250	V
Anode Resistor	$R_a$	0.56	1.2	2.2	MΩ
Anode Current	$I_a$	90	90	90	μA
Grid Voltage for cut-off	$V_g(\text{cut-off})$	-15	-23	-34	V



All dimensions in mm.

